

## NADZEMNÝ HYDRANT SO SAMOSTATNÝM UZATVÁRANÍM

SINGLE-CLOSED OVERGROUND HYDRANT

TMPIAHT HAΠ3EMHbIM C OPHOM 3AKPBITMEM

## NADZEMNÝ HYDRANT S DVOJITÝM GUĽOVÝM UZATVÁRANÍM

DOUBLE-CLOSED OVERGROUND HYDRANT WITH BALL SEAL

mPIAHT HAΠ3EMHbIM C ΠBOMHbIM 3AKPBITOM 3AKPBITMEM

Typ Type skupina	Grupa katalogowa Katalógová
TMn	rpynna no KaTanory
HN3 DN100 PN 10/16 GJS	11.100.X.GZ.1
HN3 DN100 PN 10/16 GJS	11. 100. X GZ. 2

Tab.1

Č. (X)	Materiál plášte Material of a column Marephan no/ou	Norma Standard Craigapr
250	Oceľ / Steel / CTa/b G205	PN-EN 10217
350	GJS 500-7	PN-EN 1563
450	Pozink. oceľ / galvanized steel / ou.	PN OH18N9
550	Oceľ / Steel / CTa/b 1.4301	EN 10088-2

Tab . 2

GZ - hĺbka zabudovania GZ - depth of housing GZ - 3aCTpOMKH	H - výška H - height H - BыcOpa	Hmotnosť [kg] pre plášte X=250 Mass [kg] for a column X=250 Macca [kg]/ CTnoúa X=250
1250	1900	54
1500	2150	56
1800	2450	58



HN3 DN100 PN10/16 GJS  
11.100.250.1250.1

Technické údaje / konštrukčné vlastnosti	Technical data / Design features	TexHnyekne napaMepbi / KoHcTpyKTHBHbie oco6eHHocTи
<p>Nominal diameter: DN100 Nominal pressure: PN10 / PN16 Operating pressure (PFA): 10 bar / 16 bar Maximum torque (MOT): 250 Nm The maximum water speed: 4 m / s Direction control: compatible with clockwise Tightness class according to EN 12266-1: class. A The key to the overground hydrants according to PN-M-74088 Covers of the outlets 75B: according to DIN 14317 Covers of the outlets 110A: according to DIN 14319 Stem sealing: O-ring The stem is made of stainless steel, bearing thread rolled Mushroom sealing vulcanised onto the entire surface All components are protected against corrosion Full opening of the 9 turns (the beginning of the opening of &gt; 4 rev.) The dimensions of connecting flanges according to PN-EN 1092-2 Additional closure: The shut-offs are fully rubber coated Self dehydration hydrant at the time of the fully closed Manufactured in accordance with BS EN 14384 TYPE A Time drainage and Kv compliant The possibility of seal replacement: of the hydrant after closing the gate valve without removing Swivel flange: possibility to change the position of the hydrant Performance: 10/15 dm<sup>3</sup> / s at 0.2 Mpa</p>	<p>Nominal diameter: DN 100 Nominal pressure: PN10 / PN16 Operating pressure (PFA): 10 bar / 16 bar Maximum torque (MOT): 250 Nm The maximum water speed: 4 m / s Direction control: compatible with clockwise Tightness class according to EN 12266-1: class. A The key to the overground hydrants according to PN-M-74088 Covers of the outlets 75B: according to DIN 14317 Covers of the outlets 110A: according to DIN 14319 Stem sealing: O-ring The stem is made of stainless steel, bearing thread rolled Mushroom sealing vulcanised onto the entire surface All components are protected against corrosion Full opening of the 9 turns (the beginning of the opening of &gt; 4 rev.) The dimensions of connecting flanges according to PN-EN 1092-2 Additional closure: The shut-offs are fully rubber coated Self dehydration hydrant at the time of the fully closed Manufactured in accordance with BS EN 14384 TYPE A Time drainage and Kv compliant The possibility of seal replacement: of the hydrant after closing the gate valve without removing Swivel flange: possibility to change the position of the hydrant Performance: 10/15 dm<sup>3</sup> / s at 0.2 Mpa</p>	<p>HoMMHanbHbm guaMeTp: DN100 HoMMHanbHbm gaBneHue: 10 6ap / 16 6ap Pa6onee gaBneHue (noA): 10 6ap / 16 6ap MaKC. KpyTA^MM MOMeHT: 250 HM MaKC. CKpocTb noTOKa Bogbi: 4 M/c HanpaBneHue ynpaBn.: corn RWZ Knacc repMeTMHHOc™: EN 12266-1 K/acc A Knron gnn Hag3eMHbx rugpaHTOB: cor/. PN-M-74088 KpbiWKM oCHOBaHUA 75B no DIN 14317 KpbiWKM oCHOBaHUA 110A no DIN 14319 yHnoTheHMA CTepwHn: KO^aMM 0-o6pa3Horo TMna nogmnnHMKoBbM wnuHge/b MconHeH M3 HepwaBeto^etf cra/M,c HaKaTaHHOM pe3b6oM yHnoTHHro^MM rpy6, By/KaHu3yrcBaHHM Ha BceM noBepxHccTu Bce ^neMeHTb 3a^H^eHbi OT Koppo3Mu nonHoe oTKpbTue noc/e 9 c6opoTOB (Hana/o OTKpbITMA &gt;4 o6.) npHCoeHHHycenbce pa3Mepb \$naH^B Corn: PN-EN 1092-2 AononHMTenbHoe 3aKpbTue, OTceKapo^ue 3/eMeHTbi no/HccTbro By/KaHM3MpOaHn ABToMaTMneCKMM CnuB Bogbi, nny no/HOM 3aKpbTuu mupaHTa M3poToBneHue Corn: PN-EN 14384:2009 TMn A BpeMA non Hopo CnyCKa Bcgbi M KCB^MueHT KV cccTBeT- creyeT HcpMe Bo3MowHa 3aMeHa yHnoTheHun rnpaHTa noc/e 3aKpbIT- TMS 3agBMXKM 6e3 Hec6xcfIMMccTM geMOHTawa rnp.</p>
<p>Použitie</p> <p>Rozsah použitia: pitná voda alebo neagresívne tekutiny, ktoré neobsahujú pevné častice, na</p>	<p>Application</p> <p>Field of application: Non-aggressive drinking water or non-aggressive</p>	<p>Ha3HaHeHMe</p> <p>06/acTb nnyMeHMA: nMTbeBas Boga M gpyue He arpeccuBHbie</p>

### Objednávka

V objednávke je potrebné uviesť katalógové číslo artyklu, číslo bunky (podľa tabuľky 1) a hĺbku zabudovania (podľa tabuľky 2) napr. 35.100.250.1250.2

### Order

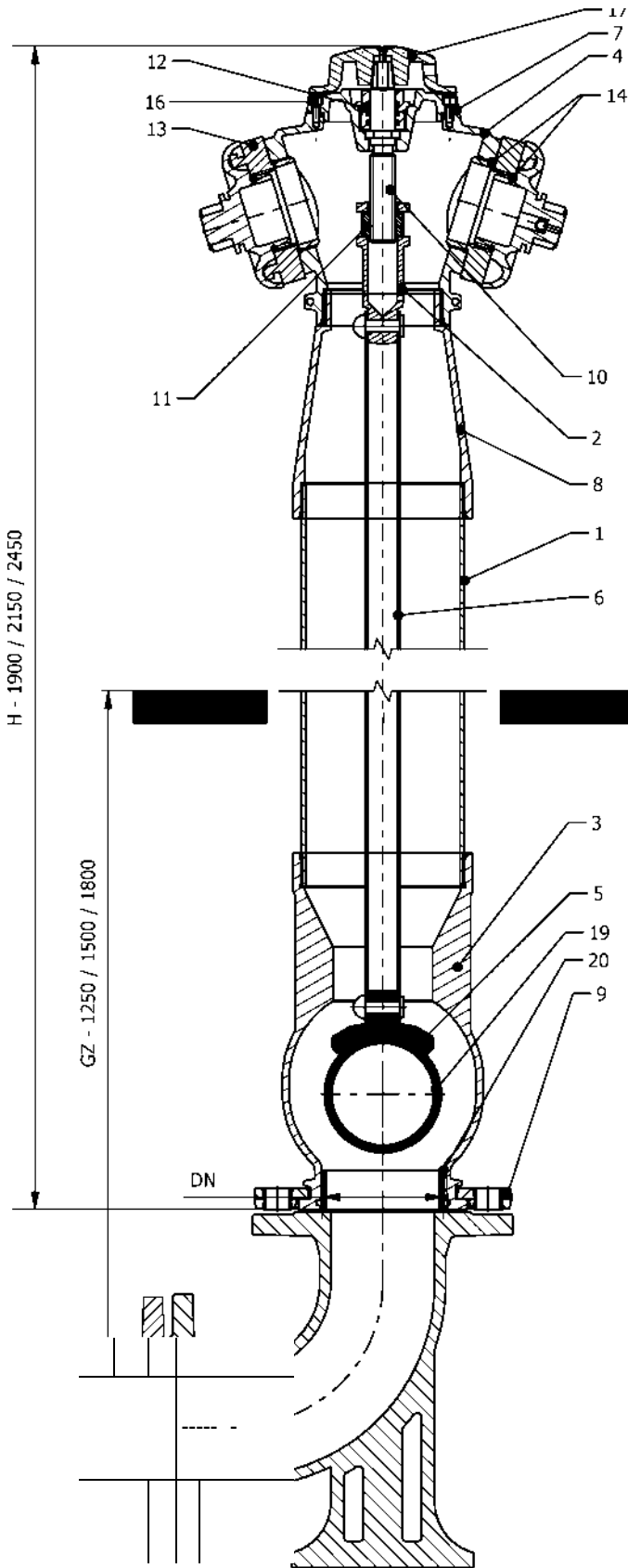
In the order, give the article number, the column number X (according to table 1) and the depth of installation (see table 2) eq 11.100.250.1250.2

B 3aKa3e c/egyer yKa3aTb c6c3HaHeHMe no KaTa/ory, HOMep kc/OHKa x (no Ta6/M^e 1) r/y6MHY 3acTpoMKM (no Ta6^e 2), Hanp. 11.100.250.1250.2

(\* ) - podľa špeciálneho prania zákazníka / on special request of the customer / no we/aHuro KnuueHTa

Wymiary podawane sa w [mm] / Dimensions are given in [mm] / Pa3Mepbi yKa3aHbi B [mm]

Vyhradzuje si právo úprav na vyrobené detaily i / We reserve the right to modify the products / Mbi cpaBneM 3a ac6aí npaBo u3MeH&Tb nrcyrbí



P.Č. No. / N	Názov časti	Item	Назвa части	Materiál / Material / Материал	Norma / Standard / Норма
1.	Plášť	Column	Колонка	Podľa tabuľky 1 / according to table 1 / no TaófMue 1	Podľa tabuľky 1 / according to table 1 /
2.	Šupátko	Side	шупáткo	EN-GJS 500-7	PN-EN 1563
3.	Dolný korpus	Bottom body	нижний корпус	EN-GJS 500-7	PN-EN 1563
4.	Horný korpus	Topbody	верхний корпус	EN-GJS 500-7	PN-EN 1563
5.	Hříbko	Disc	диск (нормeHb)	EN-GJS 500-7 / EPDM	PN-EN 1563 / PN-EN 681-1
6.	Piestnica	Rod	штырь	Pozink. ocel' / galvanized steel / ou. Cmafb nehrdzavejúca ocel' / stainless steel	PN-EN 10130 / PN-EN 10088-2
7.	Kryt	Cover	крышка	EN-GJS 500-7	PN-EN 1563
8.	Korpus nadstavca 110	Base body 110	корпус насадки N110	EN-GJS 500-7	PN-EN 1563
9.	Polmanžeta	Half-flange	полманжета	EN-GJS 500-7	PN-EN 1563
10.	T trň	Stem	стержень	Nehrdzavejúca ocel' / stainless steel / HepwaBero^aa cTafb	PN-EN 10088-1
11.	Uzáver	Nut	гайка	Mosadz / Brass / ^aTyHb	PN-EN 1982
12.	Tesnenie	Gland	кантрик	Mosadz / Brass / ^aTyHb	PN-EN 1982
13.	Nadstavec 75	Cover 75	насадка 75	ALSi11	PN-EN 1706
14.	O-ring	O-ring	оринг	EPDM	podľa katalógu / according to the catalogue / corf. KaTaфory
15.	Odvodiňovač	Dehydrator	дегидратор	plast / plastic / мск. M3fl.	podľa katalógu / according to the catalogue / corf. KaTaфory
16.	Škrutka	Screw	штырь	A2	PN-EN ISO 4762
17.	Ovládacie kolečko	Knob	ручка	EN-GJS 500-7	PN-EN 1563
18.	Nadstavec 110	Cover 110	насадка 110	Hlinik / Aluminum / afWMMHMM	PN-EN 1706
19.	Gula***	Ball***	шарик***	ocel' / steel / O^ Cmafb / EPDM	podľa katalógu / according to the catalogue / corf. KaTaфory / PN-EN 681-1
20.	Utesnenie***	Seal***	уплотнитель***	EPDM	PN-EN 681-1